

# FGB6800 型 集装袋缝纫机

**FGB6800 Type  
Bag sewing machine**



- 使用维修说明
- 零件样本
- Operation Maintenance Manual
- Parts Book

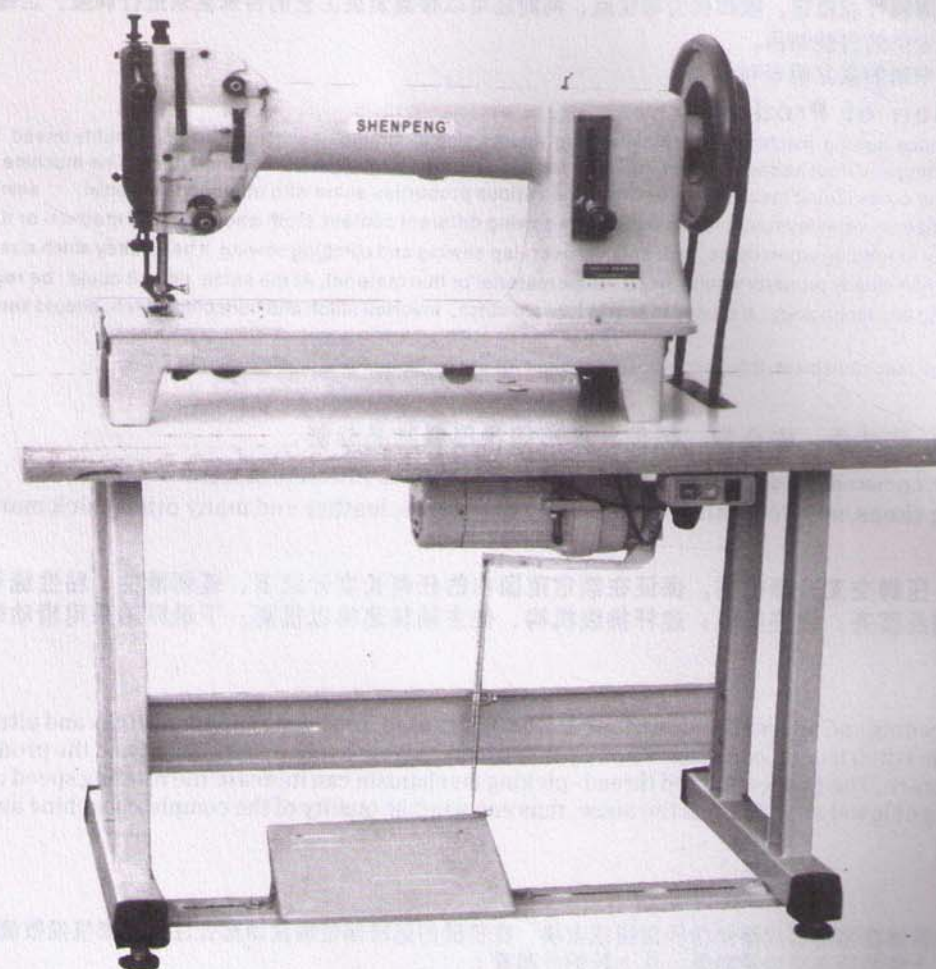
**SHENPENG**  
申工缝纫机制造  
Shen Gong sewing machine manufacturing

**河北申工缝纫机制造有限公司**  
Shengong Sewing Machine Factory in Qingxian County, Hebei Province



## 六 整机平面图

### 6. Plane graph of complete machine



## 附 件

### Accessorial parts:

大开刀	1支
Big operating knife:	1
梭心	5支
Shuttle bobbin:	5 pieces
小开刀	1支
Little operating knife:	1
油壶	1支
Oil can:	1
机针	1包
Needles:	1 package



## ◎ 产品简介

FGB6800高性能集装袋缝纫机,采用单直机针、摆梭勾线、上下复合送料,脚踏气动回缝,操作简便,构成双线锁式线迹。由于本机器采用特殊的上送料机构和压脚交叉提升机构,它除具有一般工业缝纫机的各项性能之外,其最大优点是对各种集装布、吊带等缝料和潜移性较大的中厚料,在缝纫过程中能使上层和下层送料量达到一致,在高低重叠缝纫和爬坡缝纫时,送料爽、针距稳定、线迹平整而美观、缝厚料、薄料性能稳定、操作省力等优点,同时还可以按集装袋工艺的特殊要求进行调整,正缝、倒缝、打横针操作简便自如,并可缝纫加防尘条的包装制品。本机独特的压脚提升装置已申请国家发明专利。

## ◎ Brief Introduction of Product

FGB6800 High-performance sewing machine for containing bag adopts single straight needle, oscillating shuttle thread hooking mechanism, upper and lower combined feeding and foot pedal back sewing. It is easy to operate. It forms 2-thread lock stitch. This machine adopts special upper feeding mechanism and presser cross lifeing mechanism, besides the various properties same with other general industrial sewing machine, it has advantages of sane feeding size of upper layer and lower layer when sewing different contain cloth and sling and medium or thick material with big potential moving property, esay to feeding when make high and low over-lap sewing and climbing sewing. It has steady stitch size, smooth and beautiful stitch. It is easy to operate and has steady property when sewing thick material or thin material, At the same time, it could be regulated according to specisl requirement of conaining bag technology, It is easy to sew in forward stitch, inverted stitch and horizontal stitch. It could sew the packing products with dust-proof strip.

The special presser lifting mechanism of this machine has applied for the National Patent of Invention.

## 二、用途

适用于制鞋、沙发、集装袋、安全带、帐篷、皮革等极厚料物品缝制。

2. Use The special presser lifting mechanism of this machine has applied for the National Patent of Invention.

It is used for making shoes, sofa, container bags, safety belt, tents, leather and many other thick material products.

## 三、主要特点

采用上下复合材料、压脚交叉升降机构,保证在额定范围内的任何长度针距下,缝纫滑性、粘性缝料及特长制品时上下层不位移、使制品整齐、线迹美观;连杆挑线机构、使主轴转速得以提高;下送料轴采用滑动轴承、降低了噪音、延长了使用寿命。

## 3. Key features:

Up and low-type feeding and alternative press foot device, when used for sewing slippery, sticky and ultra-long products within the rated needle stitch length, can ensure the upper and lower layers avoid displacement and the products are orderly with beautiful thread trace. The connecting rod thread-picking mechanism can increase the rotating speed of the main shaft and the sliding bearing of lower shaft lessens the noise, thus ensuring the quality of the complete machine and prolonging its lifespan.

## 四、使用、保养知识

- 1、新的或存放已久的机器在使用前应清除防锈油脂或尘埃、在机器的运转部位和滑动部位注入缝纫机油数滴、并开车数分钟。
- 2、机器:在运转时,上轮的转向应为逆时针(从上轮的外侧看)。
- 3、机针大小和缝线粗细的选择应与缝料、制品的厚薄、软硬等性质成正比
- 4、清除机器积尘和全部加油润滑、每工作班要求不少于两次。
- 5、机器在使用前一个月内,缝纫速度不得超过600/分。

## 4. Operation and Maintenance

- a) The dust on the surface and anticorrosive oil should be removed before the new machine or the machine which is long spare is used. Drip several drops of machine oil into the operation section and sliding section and run the machine for a few minutes.
- b) When the machine is running, the upper wheel is turning counterclockwise (seeing from the side of the upper side)
- c) The size of needles and the thickness of the thread should agree with the thickness and rigidity of the materials and work pieces.
- d) The minimum times of removing dust and lubricating completely that every working unit performs shall be more than twice.
- e) The sewing speed should be less than 600/min in the first month of use.

## 五、主要技术规格

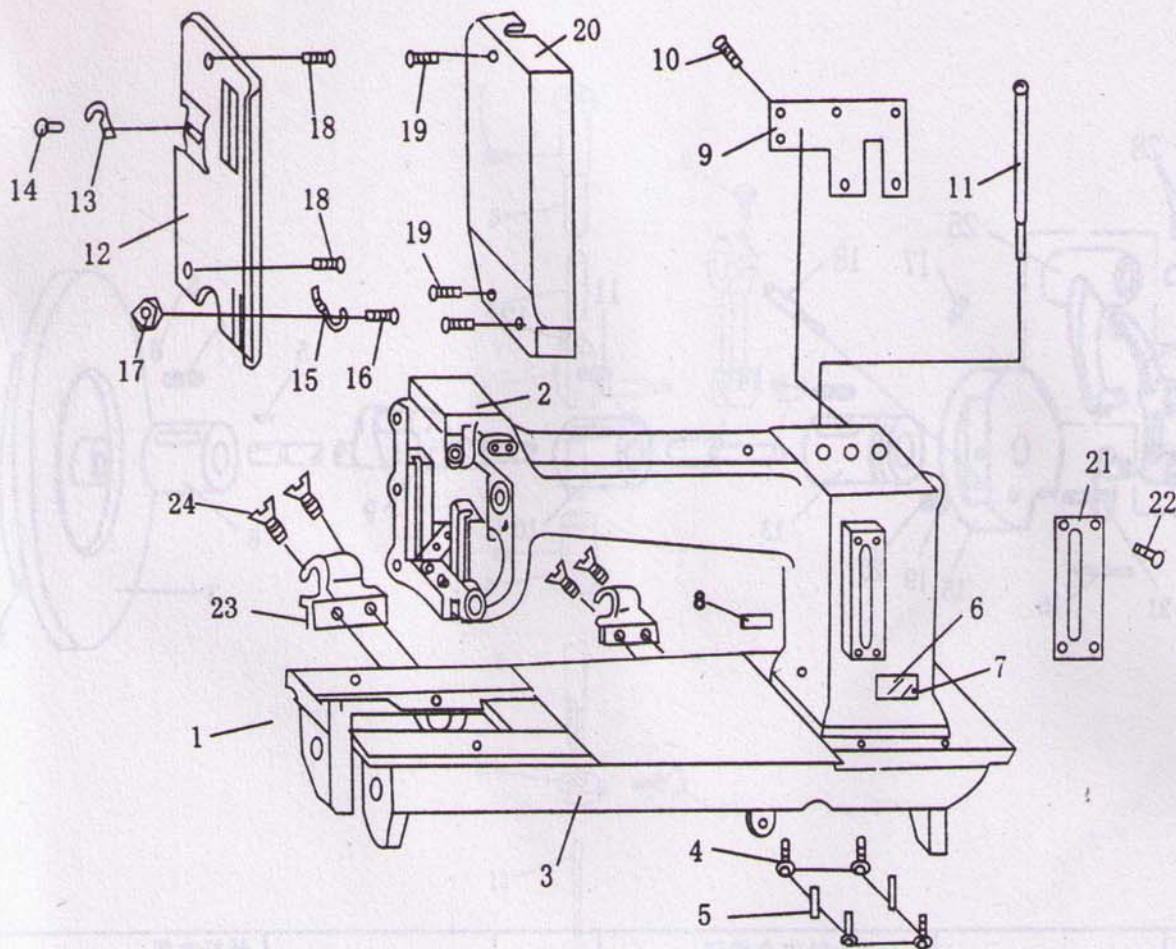
缝纫速度	800-1000针/分	机头外形	736×270×590毫米
针距长度	12毫米	电动机功率	0.55千瓦(缝纫机专用电机)
压脚提升高度	手控14毫米 脚控22毫米		
操作空间	200×420毫米		
机针型号	Gv2型 110-280号(旧7X1种18-28号)		
缝线型号	蜡线25/3-18/7股,麻线2×7股,尼龙线2-24号		

## 5. Key technical regular

Sewing speed: 800-1000 needles/minute  
Needle gauge: 12mm  
Presser lifting height: handy operation 14mm, foot operation 22mm  
Operating space: 200×420mm  
Needle model: GV2(110---280#) (old 7×1 18---28#)  
Sewing thread model: wax thread 25/3-18/7, flax thread 2×7, nylon thread 2-24#  
Machine head exterior: 736×270×590mm  
Electric motor power: 0.5kw (Special Electric motor of sewing machine)



七、零件样本 7: Part samples: (一) 机壳部位 (1). Machine shell parts

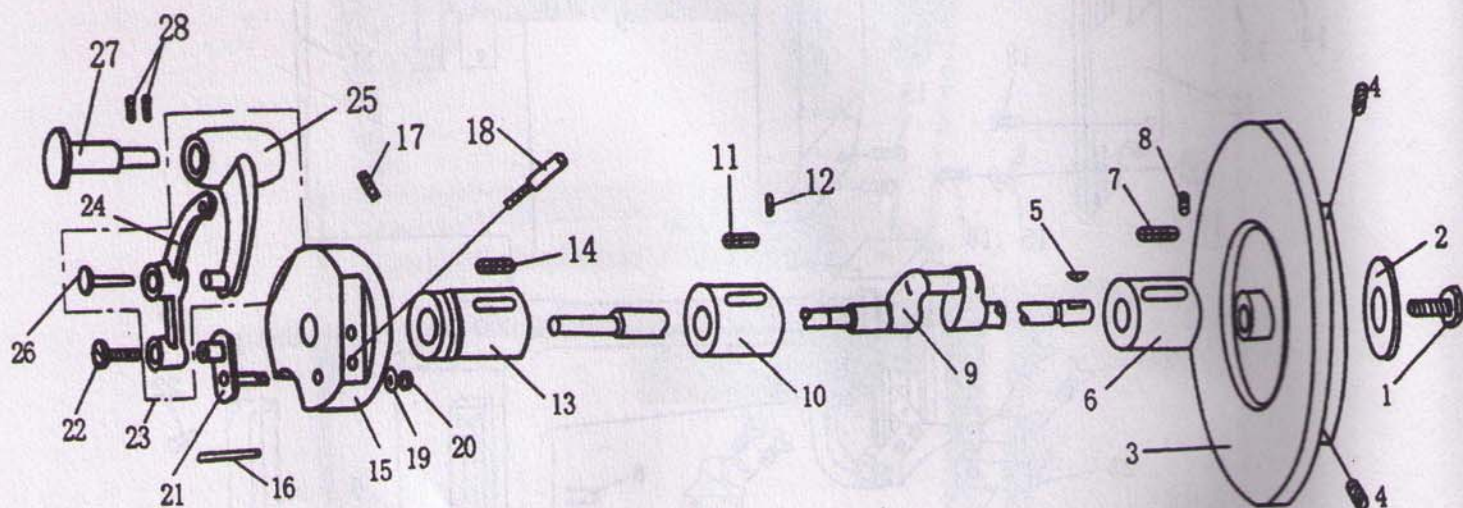


1	GQ205/8	机壳 Machine shell	18	GS120	挑线侧盖板螺钉 side cover screw
2	GQ206	车壳 Tool shell	19	GS148	针杆前盖螺钉 Needle bar front cover screw
3	GQ207	底板 Base plate	20	GK201	针杆前盖 Needle bar front cover
4	GS139	机壳螺钉 Machine shell screw	21	GK202	回缝盖板 Return seam cover board
5	GX105	机壳销 Machine shell pin	22	GS103	回缝盖板螺钉 Return seam cover board screw
6	GQ108	型号商标牌 Model brand	23	GKR222	挂钩 Hook
7	GX102	商标钉 Trademark nail	24	GS145	挂钩螺钉 Hook screw
8	GR84	生产日期牌 Manufacture date			
9	GK200	机壳后盖板 Machine shell back cover			
10	GS159	后盖板螺钉 Back cover screw			
11	GX106	插线钉 Thread-inserting nail			
12	GR233	挑线侧盖板 Thread-picking side cover			
13	GR234	挑线侧盖板线钩 Thread hook of thread-picking side cover			
14	GX123	勾线铆钉 crivet			
15	GR241	挡线 Blocking thread			
16	GS144	挡线螺钉 Blocking thread screw			
17	GL110	挡线螺母 Blocking thread nut			



## (二) 上轴

### (2) . The upper shaft

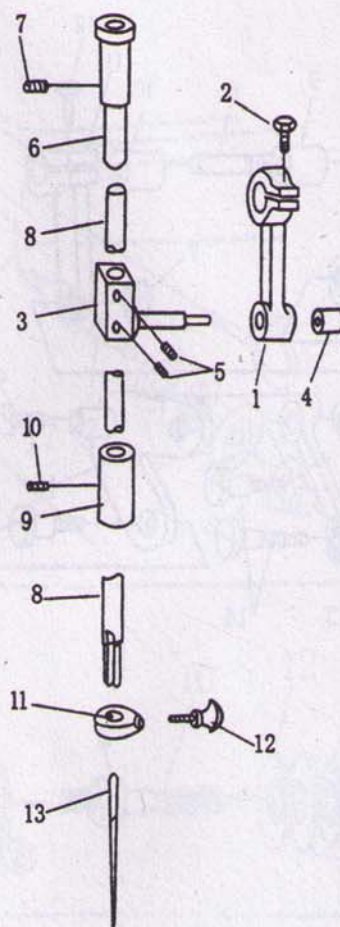


1	GS103	上轮安全螺钉 Upper wheel safe screw	15	GH154	针杆曲柄 Needle bar crank
2	GR238	上轮垫圈 Upper wheel washer	16	GX107	针杆曲柄销 Needle bar crank pin
3	GP130	上轮 Upper wheel	17	GS104	针杆曲柄螺钉 Needle bar crank screw
4	GS104	上轮螺钉 Upper wheel screw	18	GX108	针杆曲柄螺钉-销 Needle bar crank screw-pin
5	GR239	上轴键 Upper shaft bond	19	GR275	挑线曲柄垫圈 Thread-picking crank washer
6	GO107	上轴套 Upper shaft sleeve	20	GL107	挑线曲柄螺母 Thread-picking crank nut
7	GR219	后轴套油毡 Back shaft sleeve malthoid	21	GH133	挑线曲柄 Thread-picking crank
8	GS106	后轴套螺钉 Back shaft sleeve screw	22	GS141	挑线曲柄螺钉 Thread-picking crank screw
9	GZ107	上轴 Upper shaft	23	GH114/3	挑线杆 Thread-picking rod
10	GO108	中轴套 Middle shaft sleeve	24	GH115	挑线杆体 Thread-picking rod body
11	GR220	中轴套油毡 sleeve malthoid	25	GH116	挑线连杆 Thread-picking connecting rod
12	GS106	中轴套螺钉 sleeve screw	26	GX109	挑线杆铆钉 Thread-picking rod rivet
13	GO109	前轴套 shaft sleeve	27	GX110	挑线连杆销 Thread-picking connecting rod pin
14	GR220	前轴套油毡 Front shaft sleeve malthoid	28	GX106	挑线连杆销螺钉 Thread-picking connecting rod screw-pin



# (三) 针杆

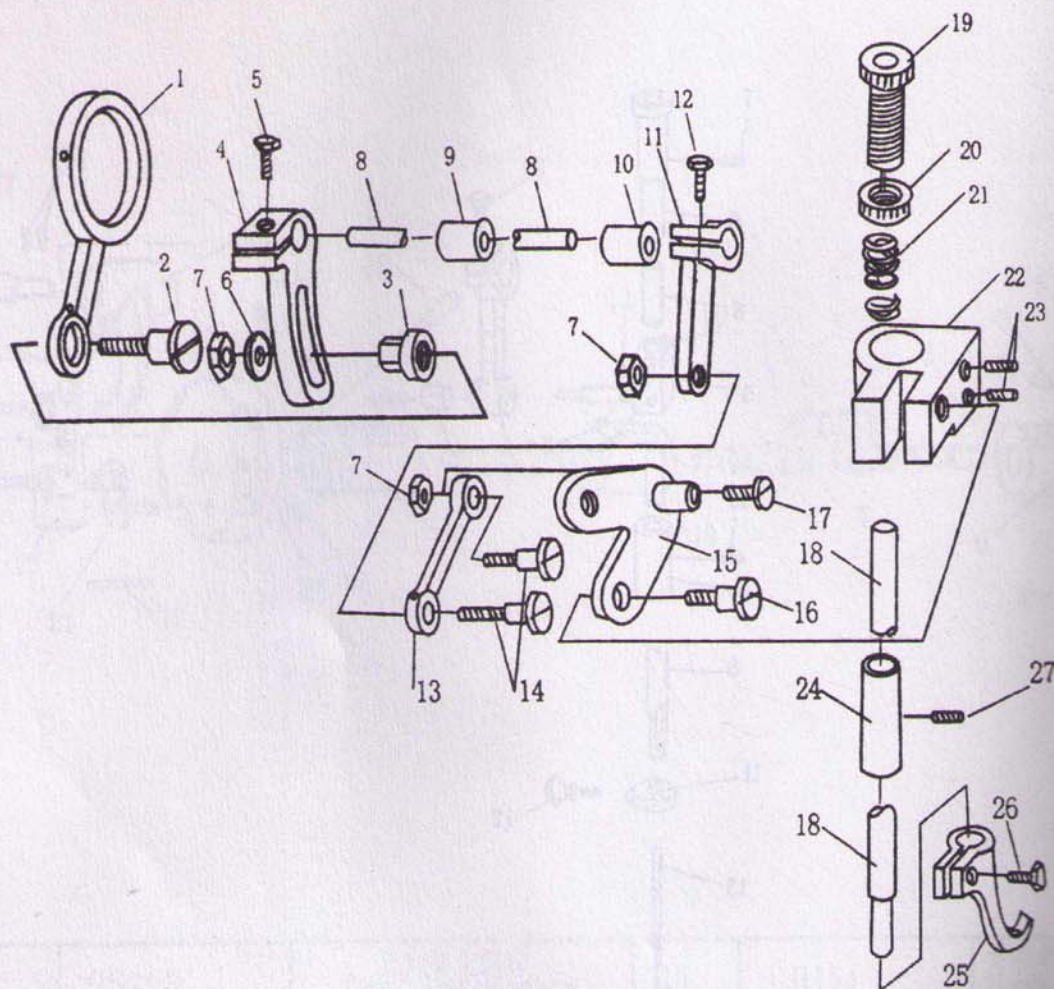
## (3) .Needle bar



1	GH117	小连杆 Small connecting rod	8	GZ108	针杆 Needle bar
2	GS123	小连杆螺钉 Small connecting rod screw	9	GO113	针杆不衬套 Needle bar lower bushing
3	GH118	针杆连接轴 connecting shaft	10	GS152	针杆对套螺钉 Needle bar bushing screw
4	GU105	针杆连接轴滚动 Needle bar Needle bar connecting shaft rotating column	11	GR242	针夹 Needle clip
5	GS165	针杆连接轴螺钉 Needle bar connecting shaft screw	12	GS145	针夹落钉 Needle clip screw
6	GO110	针杆衬套 Needle bar bushing	13	GV2	机针 Needle
7	GS152	针杆衬套螺钉 Needle bar bushing screw			



(四) 压脚  
(4) Presser

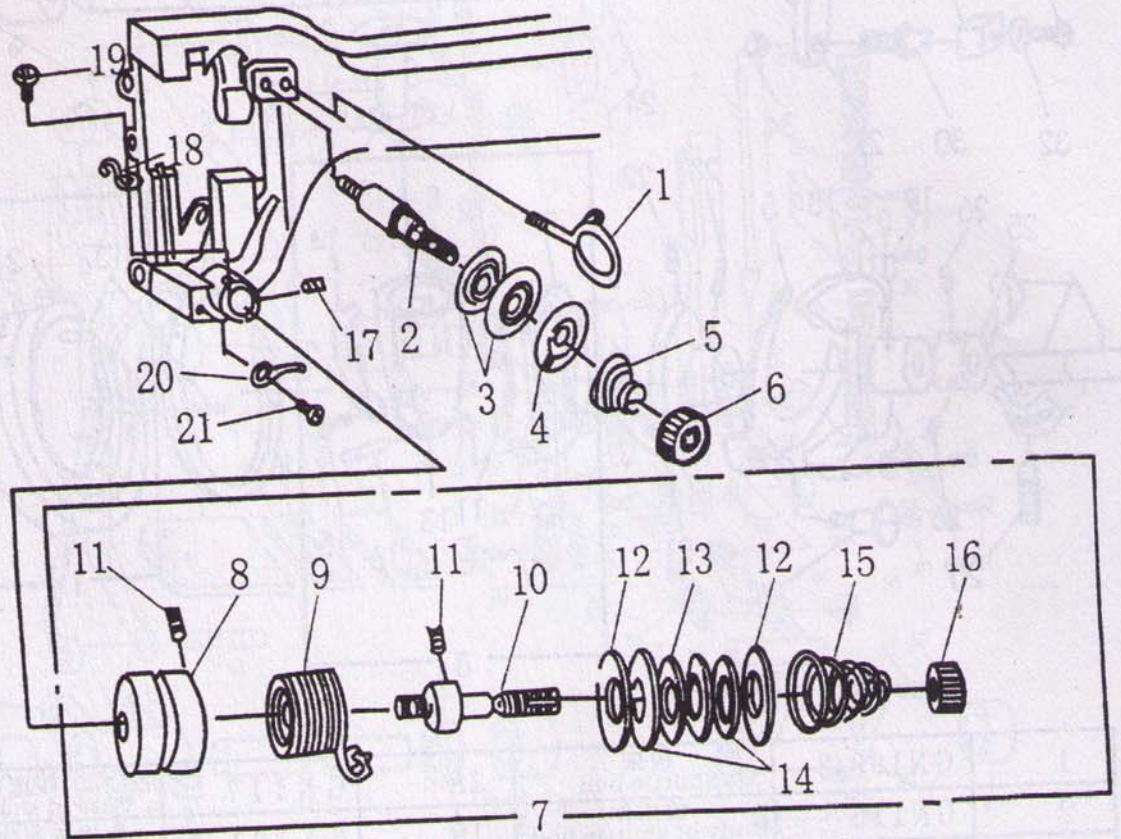


1	GH149	压脚升降大连杆 Presser lifting large connecting rod	14	GS180	摇板小连杆螺钉 Swing board small connecting rod screw
2	GS150	轴未螺钉 Shaft screw	15	GH150	压脚升降摇板 Presser lifting swing board
3	GL108	调整螺母 Adjusting nut	16	GS181	定位块摇板螺钉 Locating block swing board screw
4	GH146	压脚升降调整后曲柄 Presser lifting adjusting back crank	17	GS153	摆他叫支点螺钉 Swing presser fulcrums screw
5	GS157	调整后曲柄紧固螺钉 Adjusting back crank tightening screw	18	GZ200	压杆 Presser rod
6	GR245	轴位螺钉垫圈 Shaft screw washer	19	GS182	压杆调节螺钉 adjusting screw
7	GL106	锁紧螺母 Locking nut	20	GL182	压杆调节螺钉锁紧螺母 Presser rod Presser rod adjusting
8	GZ122	压脚升降轴 Presser lifting shaft	21	GW201	压杆弹簧 screw locking nut
9	GO126	压脚升降轴后轴套 Presser lifting shaft back shaft sleeve	22	GR304	压杆定位块 Press rod spring/Press rod locating block
10	GO127	压脚升降轴前轴套 Presser lifting shaft front shaft sleeve	23	GS187	压杆定位销 Presser rod locating pin
11	GH147	压脚升降前曲柄 Presser lifting front crank	24	GO128	压杆下衬套 Presser rod lower bushing
12	GS157	压脚升降前曲柄紧固螺钉 Presser lifting front crank tightening screw	25	GM104	压脚 Presser
13	GH141	压脚升降小连杆 Presser lifting small connecting rod	26	GS148	压脚螺钉 Presser screw/small connecting rod
			27	GS152	压杆下衬套螺钉 Presser rod lower bushing screw



(五) 夹线

(5) Thread-clipping

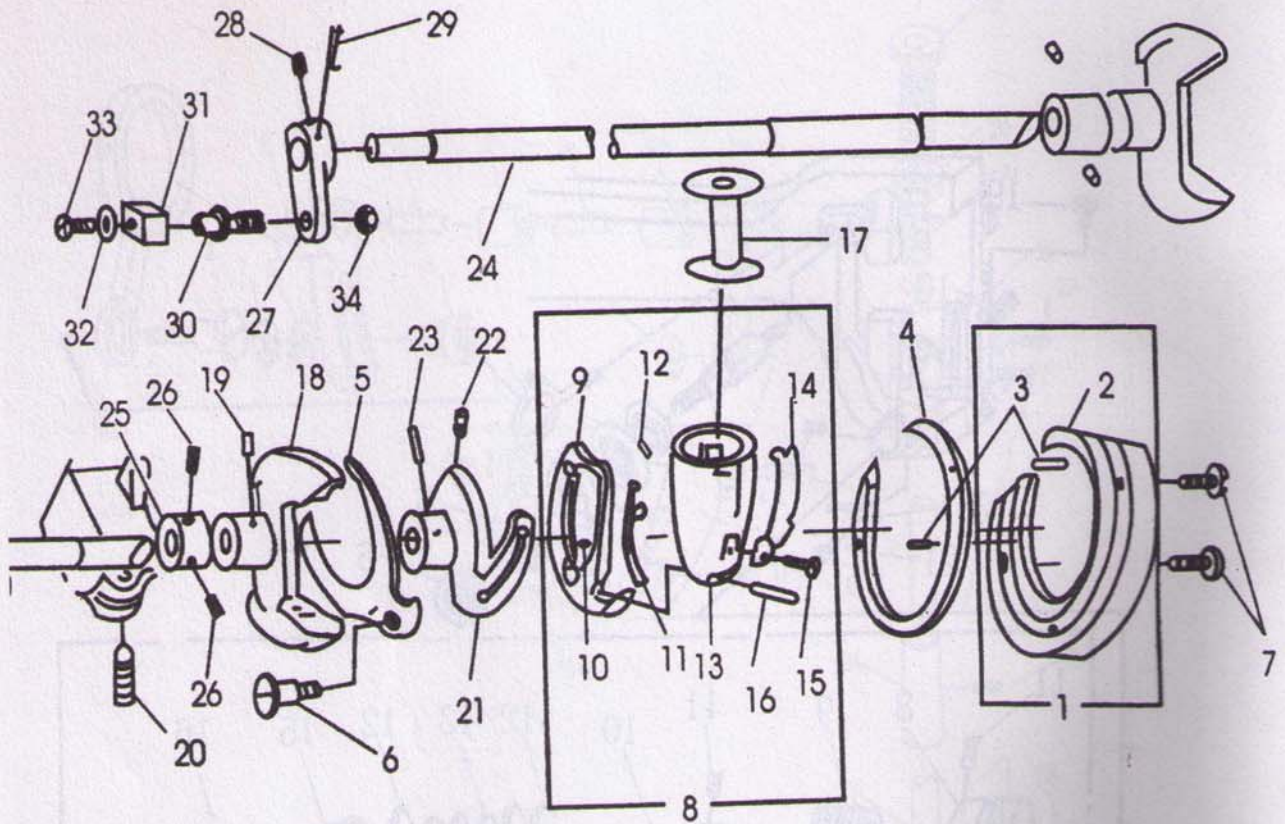


1	GR256	过线圈 Thread-passing ring	12	GR209	过线压板 Thread-passing pressing board
2	GS121	夹线螺钉 Thread-clipping screw	13	GP102	过线轮 Thread-passing wheel
3	R56	夹线板 Thread-clipping board	14	GR210	过线轮毡圈 Asphalt felt ring of threading-passing wheel
4	R57	松线板 Thread-loosing board	15	GW102	过线簧 Thread-passing spring
5	GW115	夹线簧 Thread-clipping spring	16	GL103	过线螺母 Thread-passing nut
6	GL103	夹线螺母 Thread-clipping nut	17	GS106	过线器紧固螺钉 Screw for locking thread-passing device
7	GR278/11	过线器 Thread-passing device	18	GW110	挡线簧 Thread-stopping spring
8	GR257	过线座 Thread-passing support	19	GS161	挡线簧螺钉 Screw of thread-stopping spring
9	GW109	挑线簧 Thread-picking spring	20	GR241	针杆挡线 Thread-stopping of needle bar
10	GS122	过线螺钉 Thread-passing screw	21	GS144	针杆挡线螺钉 Screw of thread-stopping of needle bar
11	GS152	过线螺钉 Screw for locking thread-passing device			



## (六) 梭床、下轴

### 6. Shuttle bed and lower shaft

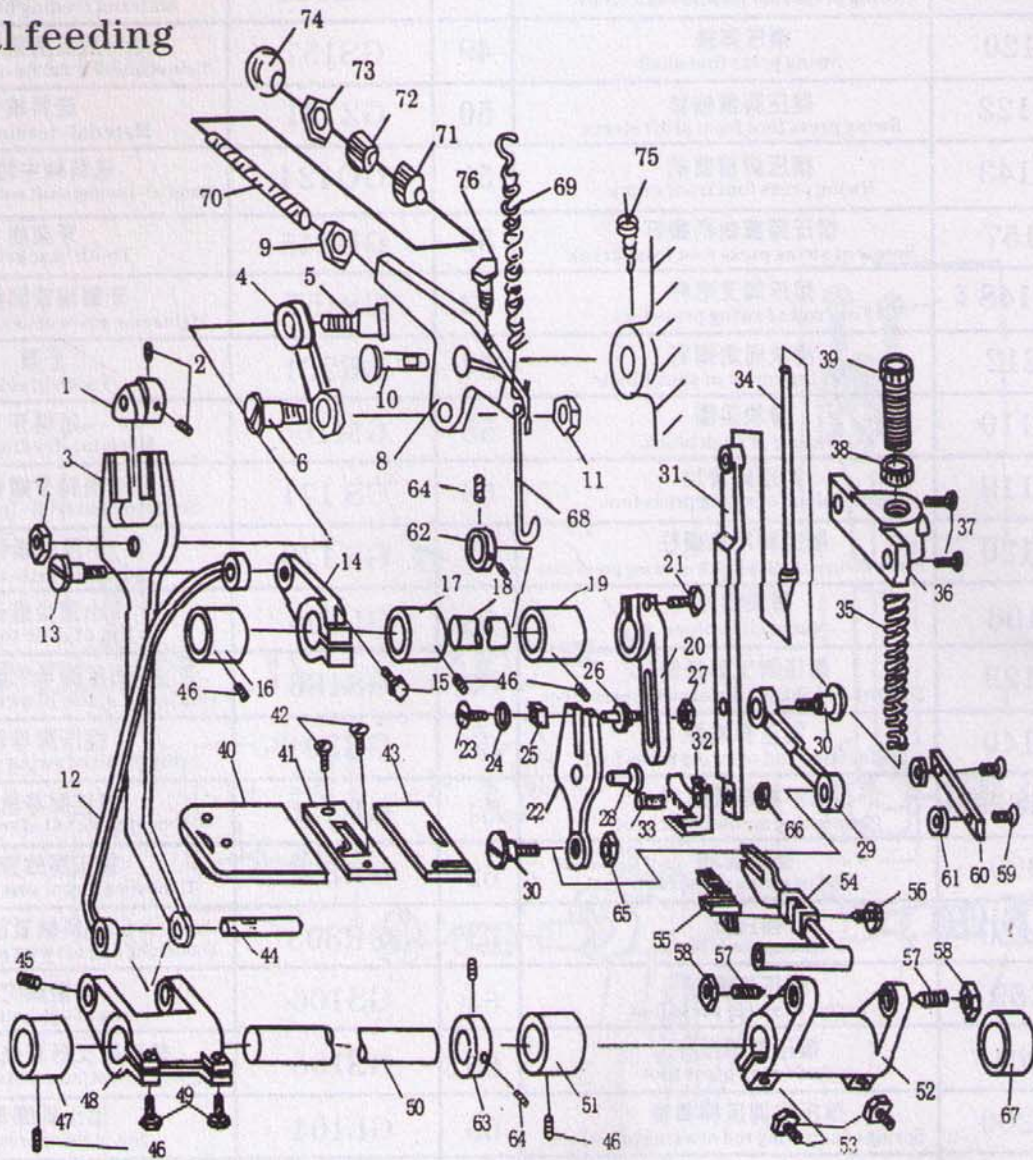


1	GN109/3	梭床 Shuttle bed	18	GN117	梭床座 Base of shuttle bed
2	GN110	梭床体 Body of shuttle bed	19	GX121	梭床座定位销 shuttle bed base
3	GX114	梭床销 Pin of shuttle bed	20	GS405	梭床座固定螺钉 Setting pin of fixing screw of shuttle bed base
4	GN111	梭床圈 Ring of shuttle bed	21	GR258	摆梭托 Swinging shuttle support
5	GW111	压圈簧 Ring-pressing spring	22	GS114	梭托螺钉 Screw of shuttle support
6	GS162	压圈簧螺钉 Screw of ring-pressing spring	23	GX124	摆梭托销 Pin of swinging shuttle support
7	GS163	梭床螺钉 Shuttle bed screw	24	GZ112	下轴 Lower shaft
8	GN112/8	摆梭 Swinging shuttle	25	GR259	下轴挡圈 Blocking ring of lower shaft
9	GN113	摆梭体 Body of swingingshuttle	26	GS114	下轴挡圈螺钉 Screw of blocking ringlower shaft
10	GW112	摆梭簧 Spring of swinging shuttle	27	GH124	下轴曲柄 Crank of lower shaft
11	GN114	梭床闩 Shuttle bed bolt	28	GS114	下轴曲柄螺钉 Screw of lower shaft crank
12	GX115	梭床闩销 Pin of shuttle bed bolt	29	GX124	下轴曲柄销 Pin of lower shaft crank
13	GN115	梭心壳 Shell of shuttle core	30	GU108	滑块螺柱 Screw-column of slick block
14	GW113	梭心簧 Spring of shuttle core	31	GU109	摆轴滑块 Crank slide block of swinging shaft
15	GS164	梭心簧螺钉 Screw of shuttle core spring	32	GU110	摆轴滑块垫圈 Ring-washer of slick block of swinging shaft
16	GX116	梭心壳销 Pin of shuttle core shell	33	GS212	滑块固定螺钉 Block-fixing screw
17	GN116	梭心 Shuttle core	34	GL105	滑块螺母 Block nut



# (七) 送料

## 7. Material feeding



1	GT103	送料凸轮 Material-feeding cam	9	GS168	锁紧螺母 Tightening nut
2	GS165	送料凸轮螺钉 Screw of Material-feeding cam	10	GS167	针距座中心轴 Central shaft of knitting gauge
3	GH125	牙叉 Tooth fork	11	GL105	针距连杆螺母 Screw of connecting rod of knitting gauge
4	GH126	针距连杆 connecting rod of knitting gauge	12	GH1253	摆压脚大连杆 Large connecting rod of swing press foot
5	GS166	牙叉连接螺钉 Screw of tooth fork connecting	13	GS184	摆压脚大连杆连接螺钉 Connecting screw of large connecting rod of swing press foot
6	GS166	针距连杆螺钉 Screw of connecting rod of knitting gauge	14	GH142	摆压脚后曲柄 Back crank of swing press foot
7	GL105	牙叉连接螺母 Connecting screw of tooth fork	15	GS157	摆压脚后曲柄螺钉 Screw of back crank of swing press foot
8	GR206	针距座 Knitting gauge seat	16	GO120	摆压脚后轴套 Back shaft sleeve of swing press foot

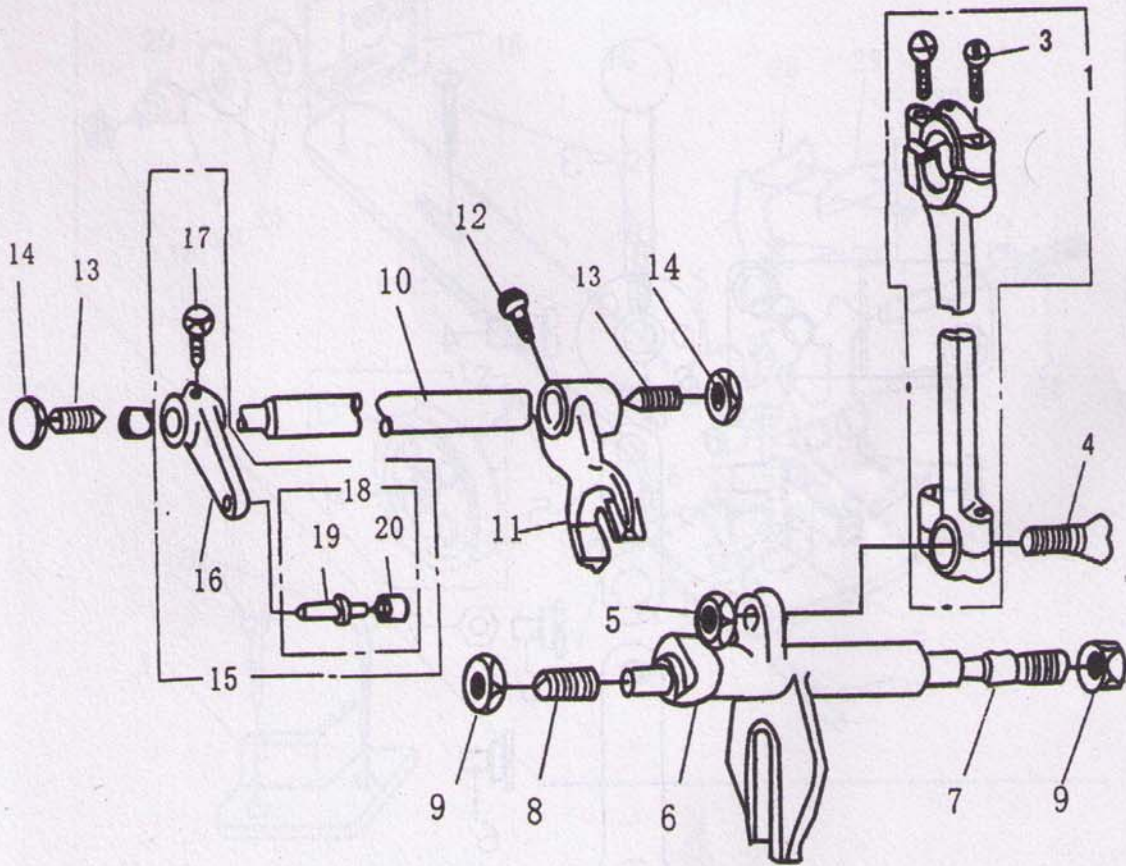


17	GO121	摆压脚中轴套 Swing press foot middle shaft sleeve	48	GH144	送料后曲柄 Material feeding back crank
18	GZ120	摆压脚轴 Swing press foot shaft	49	GS157	送料后曲柄紧固螺钉 Tighteningscrew of material-feeding back crank
19	GO122	摆压脚前轴套 Swing press foot front shaft sleeve	50	GZ121	送料轴 Material-feeding shaft
20	GH143	摆压脚前曲柄 Swing press foot front crank	51	GO124	送料轴中轴套 Material-feeding shaft middle shaft sleeve
21	GS157	摆压脚前曲柄螺钉 Screw of swing press foot front crank	52	GH145	牙架座 Tooth bracket seat
22	GH148	摆压脚叉形杆 Fork rod of swing press foot	53	GS157	牙架座紧固螺钉 Tightening screw of tooth bracket seat
23	GS212	滑块固定螺钉 Tightening screw of slick block	54	GR261	牙架 Tooth bracket
24	GU110	滑块垫圈 Washer of slick block	55	GM106	送料牙 Material-feeding tooth
25	GU119	摆压脚滑块 Slick block of swing press foot	56	GS 171	送料牙螺钉 Screw of material-feeding tooth
26	GU120	摆压脚滑块螺柱 Screw columnof slick block of swing press foot	57	GS 170	小顶尖螺钉 Screw of little top tip
27	GL106	滑块螺母 Nut of slick block	58	GL105	小顶尖螺母 Nut of little top tip
28	GX123	摆压脚叉形杆销 The fork rod shaped pin of swing press foot	59	GS186	摆压脚导轨螺钉 Guide rail screw of swing press foot
29	GH140	摆压脚连杆 Connecting rod of swing press foot	60	GR301	摆压脚导轨 Guide rail of swing press foot
30	GS180	叉形杆连接螺钉 Connecting screw of fork rod	61	GU130	摆压脚导轨垫 Washer of guide rail of swing press foot
31	GZ300	摆压脚杆 Rod of swing press foot	62	GR302	摆压脚轴紧圈 Tightening ring of swing press foot
32	GM120	摆压脚 Swing press foot	63	GR303	送料轴紧圈 Tightening ring of swing press foot shaft
33	GS159	摆压脚螺钉 Screw of swing press foot	64	GS106	紧圈螺钉 Screw of tightening ring
34	GZ301	摆压脚调压杆 rod of swing press foot	65	GS106	摆压脚叉形杆锁紧螺母 Tightening nutof fork rod of swing press foot
35	GW200	摆压脚调压杆弹簧 Spring of adjusting rod of swing press foot	66	GL104	摆压脚螺母 Nut of swing press foot
36	GR300	摆压脚调压螺钉架 Adjusting screw frame of swing press foot	67	GO125	送料轴前轴套 Front shaft sleeve of material feeding haft
37	GS185	调压螺钉架螺钉 Screw of adjusting screw frame	68	GZ301	针距回缝隙拉杆 Returning seam pull rod of knitting gauge
38	GL183	摆压脚调压螺钉锁紧螺母 Tightening nut of adjusting screw of swingpress foot	69	GW303	针距座复位弹簧 Resetting spring of knitting gauge seat
39	GL183	摆压脚调压螺钉 Adjusting screw of swing press foot	70	GR305	针距调节螺杆 Adjusting screw rod of knitting gauge
40	GR262	大推板 Big pushing plate	71	GL230	针距调节螺母 Adjusting nut of knitting gauge
41	GM107	针板 Needle plate	72	GL231	针距锁紧螺母 Tightening nutof knitting gauge
42	GS172	针板螺钉 Screw of needle plate	73	GL232	手柄球锁紧螺母 Tightening nut of handle ball
43	GR236	小推板 Small push plate	74	GR306	针距座手柄球 Handle ball of knitting gauge seat
44	GX130	送料曲柄销 Material-feeding crank pin	75	GS163	中心轴紧定螺钉 Tightening screw of central shaft
45	GS191	送料曲柄销螺钉 Screw of material-feeding crank pin	76	GS148	调节针距座中心孔螺钉 Central-hole screw
46	GS106	送料轴轴套螺钉 Screw of shaft sleeve of material-feeding shaft			
47	GO123	送料轴后轴套 Back shaft sleeve of material-feeding shaft			



# (八) 抬牙

## 8. Tooth-lifting

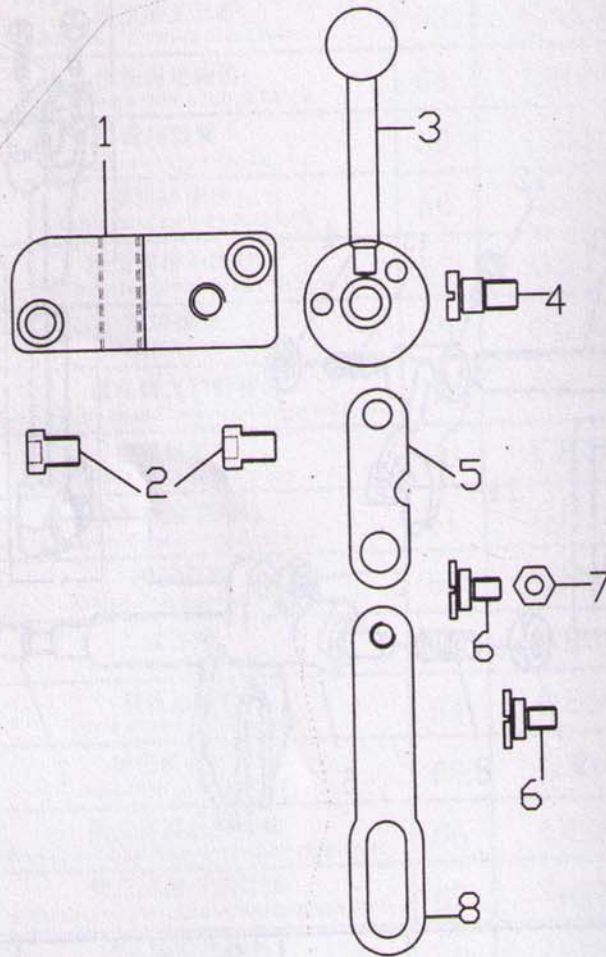


			11	GH132	抬牙牙叉 Screw of tooth-fork for tooth-lifting
1	GH129/3	大连杆 Large connecting rod	12	GS157	抬牙牙叉螺钉 Large fixing screw
3	GS156	大连杆螺钉 Screw of large connecting rod	13	GS169	大尖顶螺母 Large fixing nut
4	GS166	大连杆连接螺钉 Connecting screw of large connecting rod	14	GL109	大尖顶螺母 Tooth-lifting shaft arm
5	GL105	大连杆连接螺钉母 Connecting nut of large connecting rod	15	GH133/4	抬牙曲柄 Body of tooth-lifting shaft arm
6	GH131	摆轴 Swinging shaft	16	GH134	抬牙曲柄体 Screw of tooth-lifting shaft arm
7	GS174	摆轴中心轴 Central swinging shaft	17	GS157	抬牙曲柄螺钉 Tooth-lifting rotating column
8	GS175	摆轴中心轴套 Sleeve of central swinging shaft	18	GU111/2	抬牙滚注 Axle of tooth-lifting rotating column
9	GL109	摆轴中心轴螺母 Nut of central swinging shaft	19	GU112	抬牙滚注轴 Sleeve of axle of tooth-lifting rotating column
10	GZ223	抬牙轴 Tooth-lifting axle	20	GU118	抬牙滚注轴套 Tooth-fork for tooth-lifting



# (九) 扳手部分

## (9) Part wrench

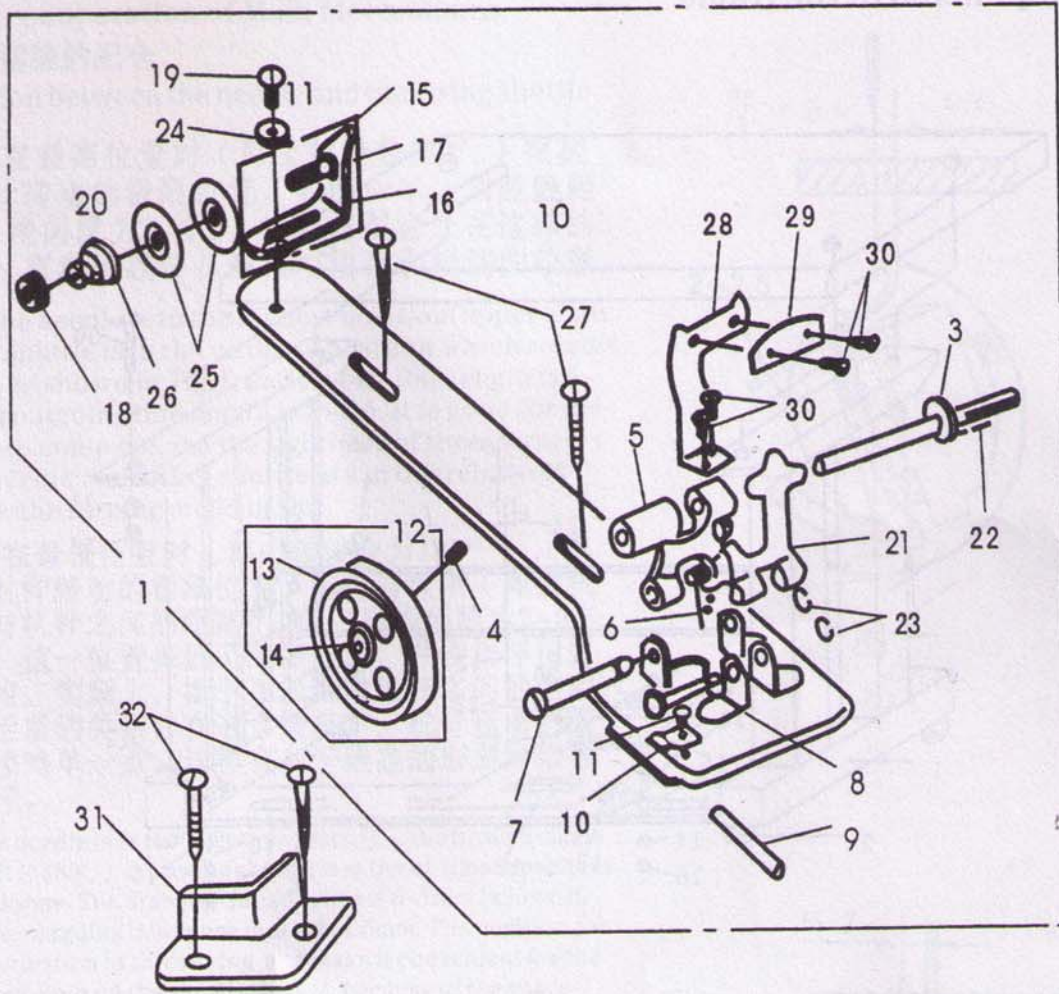


1	SG101	扳手座 Block wrench	7	SG107	扳手连杆螺母 Connecting rod nut wrench
2	SG102	扳手座螺丝 Block screw wrench	8	SG108	扳手连杆2 Wrench even bars 2
3	SG103	扳手 Wrench			
4	SG104	扳手螺丝 Screw wrench			
5	SG105	扳手连杆1 Wrench even a bar			
6	SG106	扳手连杆螺丝 Wrench screw-link			



# (十) 绕线器

## 10. Winding machine

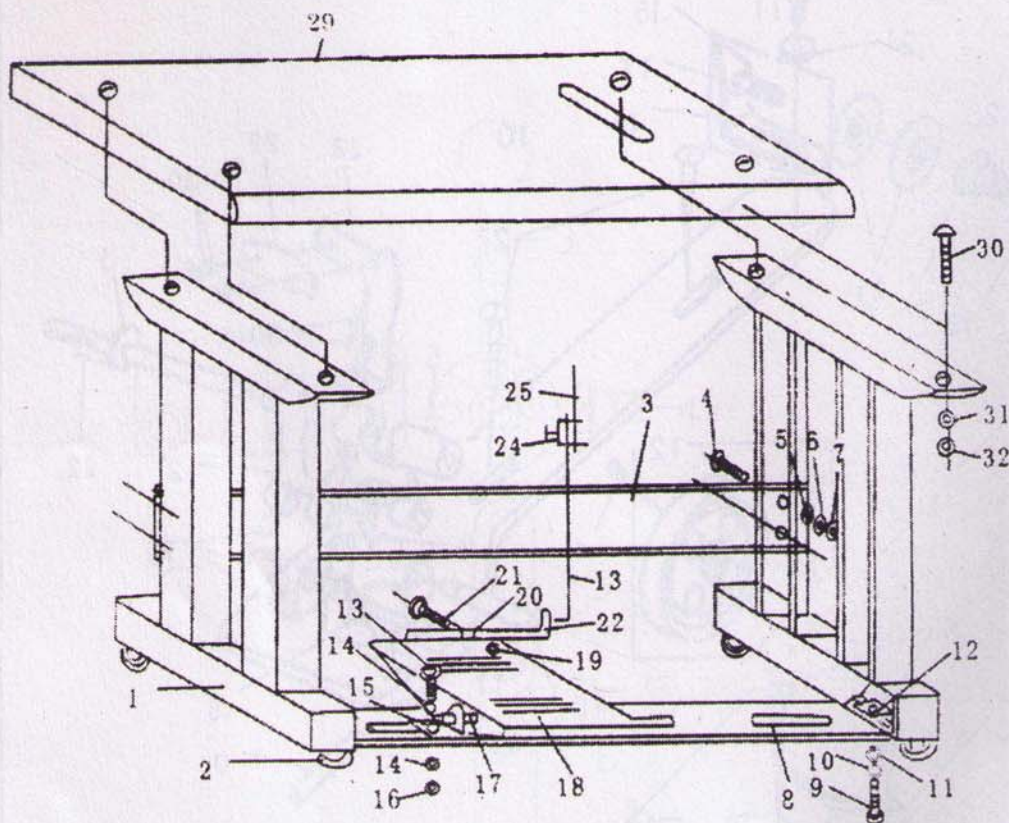


1	GR1165/30	绕线器 Winding machine	17	GL103	过线夹线螺母 Nut for thread passing and clipping
2	GR1166	绕线圈座 Winding ring base	18	GS309	过线架螺钉 Screw of thread-passing bracket
3	GZ224	绕线轴 Winding shaft	19	GS279	过线螺钉 Passing screw
4	GS134	绕线轮螺钉 Screw of winding wheel	20	GS22	满线跳板螺钉 Screw of full thread springboard
5	GR226	绕线架 Winding bracket	21	GR862	满线跳板 Full thread springboard
6	GW114	绕线簧 Winding bracket spring	22	GX104	绕线轴销 Winding thread shaft pin
7	GX120	绕线架销 Winding bracket pin	23	GR273	绕线及满线销挡圈 Ring of winding and full thread pin
8	GX119	满线跳板销 Pin of full thread springboard	24	GR122	过线架垫圈 Washer of passing thread bracket
9	GR201	绕线制动垫 Winding brake washer	25	R56	过线夹线板 Thread-passing and clipping plat
10	GR228	绕线制动夹 Winding brake clip	26	W12	过线夹线簧 Passing thread clipping thread spring
11	GS137	绕线制动夹螺钉 Screw of winding brake clip	27	GBS101	绕线器木螺钉 Wood screw of winding machine
12	GP121/2	绕线轮 Winding wheel	28	GR229	排线架座 Arranging thread bracket base
13	GP122	绕线轮圈 Winding wheel ring	29	GR230	排线板 Arranging thread plate
14	GP123	绕线轮轴套 Shaft sleeve of winding wheel	30	GS137	排线架螺钉 Screw of arranging thread bracket
15	GR1162/2	过线架 Thread-passing bracket	31	GR264	机头固定架 Fixing bracket of machine head
16	GR1163	过线架座 Thread-passing bracket base	32	GBS101	机头固定木螺钉 Fixing wood screw of machine head



# (十二) 机架组件

## 12. Components of the frame



1	GKR193/6-4	边架部件 Component of side fixation	19	GKL102	踏板杠杆螺母 Nut of lever of the pedal
2	GKR195/3	边架座组件GKR196/2 Components of seat of the side fixation GKR196/2	20	GKR112	踏板杠杆垫圈 Washer ring of lever of the pedal
3	GKR172/3	横档部件 Cross rail	21	GKS103	踏板杠杆螺钉 Screw of lever of the pedal
4	GKS119	横档连接螺钉 Connecting screw of cross rail	22	GKR111	大踏板杠杆 Lever of the big pedal
5	GR253	边架柱垫圈 Washer ring of side fixation column	23	GKR116	电机离合下拉杆 The lower tensile rod controlled by motor
6	GKR176	边架柱弹簧垫圈 Spring washer ring of side fixation column	24	GKR183	拉杆调节器 Lever adjuster
7	GKL103	边架柱螺母 Screw of side fixation column	25	GKR118	电机离合上拉杆 The upper tensile rod controlled by motor
8	GKR178/3	踏板轴档部件 Components of pedal shaft rail			
9	GKS110	踏板轴档螺钉 Screw of pedal shaft rail			
10	GKR106	踏板轴档弹簧垫圈 Spring washer ring of pedal shaft rail			
11	GKR122	踏板轴档垫圈 Washer ring of pedal shaft rail	29	GKR221	大台板 Large bedplate
12	GRR181	踏板轴档定位螺母板 Locating nut board of pedal shaft rail	30	GKS106	台板、支架大帽螺栓 Bedplate, large-cap bolt of the frame
13	GKS110	踏板轴座螺钉 Screw of pedal shaft seat	31	GKR122	大帽螺栓垫圈 Washer ring of the large-cap bolt
14	GKR122	踏板轴座垫圈 Washer ring of pedal shaft seat	32	GKL101	大帽螺栓螺母 Nut of the large-cap bolt
15	GKR184	踏板轴座 Pedal shaft seat			
16	GKL101	踏板轴座螺母 Screw of pedal shaft seat			
17	GKX106	大踏板轴 Screw of pedal shaft seat			
18	GKR182	大踏板 Big pedal			